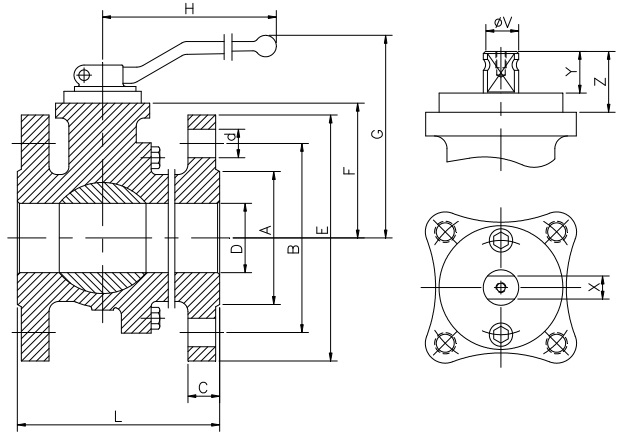
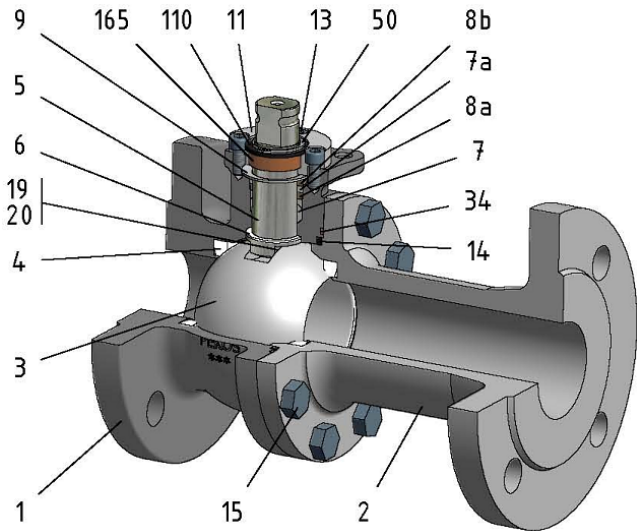


FIG.Z 26 SSSG PN40 DN15/100 F1



Position	Description	Material
01	Body 1	S.S. 1.4408
02	Body 2	S.S. 1.4408
03	Ball	S.S. 1.4408
04	Seat	PTFE+CG
05	Stem	S.S. 1.4401
06	Stem seal	PTFE+CG
07	Stem packing 1	PTFE+CG
07a	Stem packing 2	Graphite
08	Gland packing	S.S. 1.4401
09	Spring washer	S.S. 1.4310
11	Cover	S.S. 1.4408
13	Cover bolt	A4-70
14	Body seal 1	PTFE+CG
15	Body bolt	A4-70
16	Handle	WCB
17	Handle bolt	1.045(8.8)
19	Spring	S.S. 1.4401
20	Antistatic ball	S.S. 1.4401
34	Body seal 2	Graphite
50	Subjection ring	S.S. 1.4301
110	Subjection ring seal	S.S. 1.4401 Nitrided
165	Stem bearing	PTFE+FG

General features

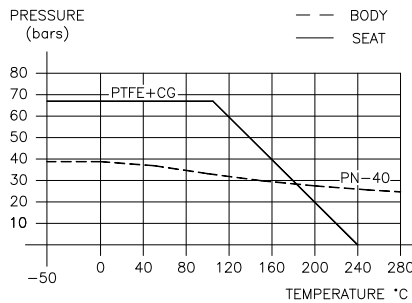
- Floating ball.
- Split body.
- Full bore.
- Soft seat.
- Bidirectional.
- Fire Safe.
- TA-LUFT.
- Anti Blow out proof stem.
- Autoadjustable packing.
- Anti static device.
- Self-cavity pressure relief.

Standards

- Top flange ISO 5211
- Flanges EN 1092-01
- Face to face EN 558
- Testing EN-12266, ISO 5208
- Design EN-12516, ISO 17292

Official approvals

- CERTIFICATE FIRE SAFE
- TÜV.AD-MERKBLATT WO TA-LUFT
- ATEX 94-9EC
- PED 97/23/CE.
- SIL 2
- EN 161/EN 264



PEKOS GROUP CERTIFICATES:
ISO 9001-2008 / 97-23-CE / API-6D



DIMENSIONS & Technical information

DN	PN	D	L	E	A	B	C	F	H	G	V	X	Y	Z	n x d	ISO 5211	Torque	MAST	Weight
15	40	15	130	95	45	65	16	51	185	105	14	11	11	13,5	4 x 14	F05	14	43,5	3,2
20	40	20	150	105	58	75	18	53	185	107	14	11	11	13,5	4 x 14	F05	16	43,5	4,3
25	40	25	160	115	68	85	18	59	185	113	18	14	17	19,5	4 x 14	F05	20	94,5	5,3
32	40	32	180	140	78	100	18	64	185	118	18	14	17	19,5	4 x 18	F05	34	94,5	7,2
40	40	40	200	150	88	110	18	75	293	145	22	17	20	30	4 x 18	F07	46	250,4	9,3
50	40	50	230	165	102	125	20	83	293	153	22	17	20	30	4 x 18	F07	76	250,4	13,0
65	40	65	290	185	122	145	22	96	293	166	22	17	20	30	8 x 18	F07	98	250,4	20,0
80	40	80	310	200	138	160	24	113	350	205	28	22	22	40	8 x 18	F10	149	522,5	26,0
100	40	100	350	235	162	190	24	128	350	220	28	22	22	40	8 x 22	F10	219	522,5	36,4

** Depending on service conditions. * Dimensions are in mm. * Torque & MAST are in Nm. * Weight is in Kilograms
* Torque values have been measured ΔP at maximum rating at room temperature