

**MATERIALS OF CONSTRUCTION**

ENCLOSURE - ALUMINIUM GrD LM6 (< 6% Mg)  
 DRIVE SHAFT - STAINLESS STEEL  
 FASTENERS - STAINLESS STEEL  
 BEARINGS - HIGH DUTY ACETAL  
 SEALS - SILICONE  
 FINISH - RED POLYESTER (INSIDE AND OUT)  
 MICROSWITCHES - S.P.D.T. EExd. CERT: BAS01ATEX2358U  
 SWITCH CAMS - SPLINE DRIVEN "Kwiklok" SYSTEM  
 TERMINAL STRIPS - HIGH GRADE MELAMINE EExe. CERT: BAS98ATEX3084U  
 MOUNTING AND DRIVE FORMAT - VDI/VDE 3845 F05  
 INGRESS PROTECTION - IP67 DUST PROOF, WATER PROOF  
 COMPLIANT WITH EC LOW VOLTAGE DIRECTIVE 2006/95/EC  
 CATEGORY OF PROTECTION - II 2 GD  
 CERTIFICATION. II 2 GD Ex ed IIC T6 Gb Tamb -50°C to +55°C  
 Ex tb IIIC T85°C Db IP67

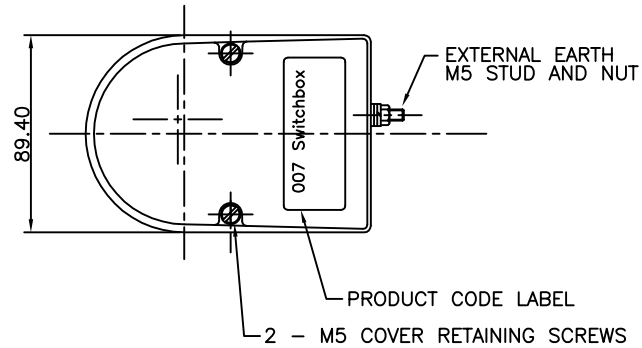
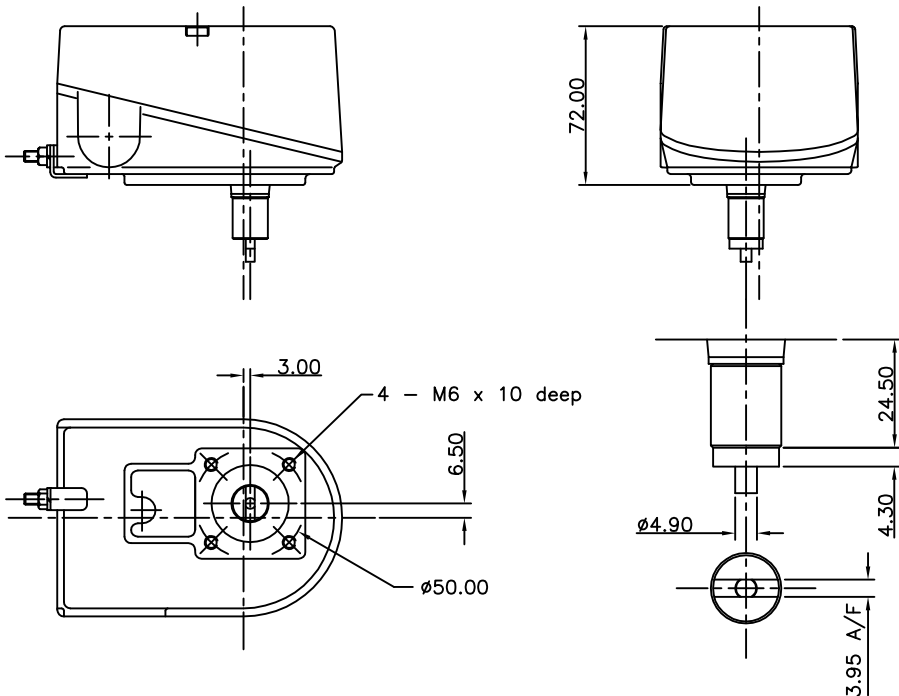
CERT: Baseefa02ATEX0241X, Type 1  
 SUITABLE FOR BOTH LOW AND HIGH DEMAND SCENARIO  
 APPLICATIONS AT SIL 1 AND SIL 2 OF IEC 61508:2010

**FAILURE TO PROVIDE THE ANNUNCIATED FUNCTION**

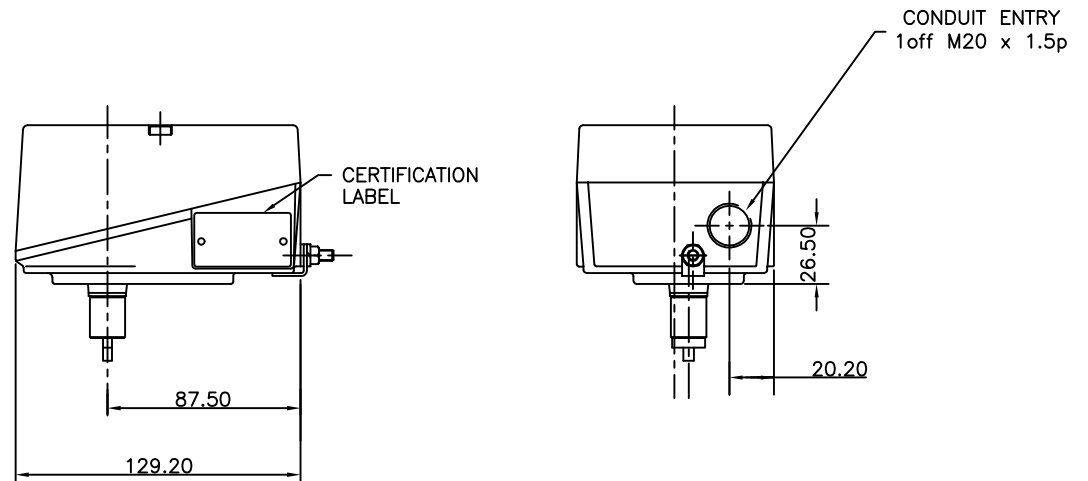
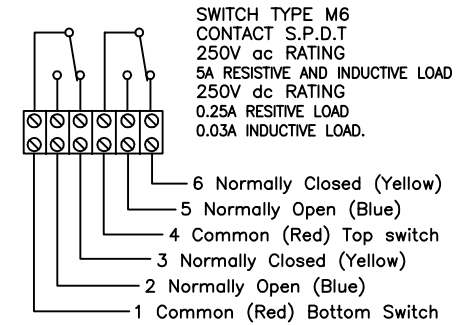
	SFF%	LOW DEMAND			HIGH DEMAND	
		F rate/hr	PFD*	SIL	F rate pa	SIL
M6 CLOSED(FAIL TO OPEN)	74	0.018 10E-6	7.9 10E-5	2	1.6 10E-4	2
M6 OPEN(FAIL TO CLOSE)	24	0.052 10E-6	2.3 10E-4	1	4.6 10E-4	1

**SPURIOUS ANNUNCIATION**

	F rate pa
M6 CLOSED(SPURIOUSLY OPENS)	4.5 10E-4
M6 OPEN(SPURIOUSLY CLOSES)	1.5 10E-4



**TERMINATION DETAILS.**



**PRODUCT CODE-SBB-7RM62-SIL**

Rev	c/N No.	Date	Appr

K Controls Ltd Crown Business Centre West Drayton Middlesex UB7 8HZ	TITLE GENERAL ARRANGEMENT-007 ATEX Ex ed M6 SWITCHBOX SUITABLE FOR SIL 1 & 2	
	SCALE: DO NOT SCALE	DRAWING NO: <b>C13219</b>
DIMENSIONS IN mm	PAGE 1 OF 1	REVISION <b>1</b>
DRAWN <i>MOD</i>	APPR <i>BEP</i>	DATE 10.12.14

THIS DRAWING IS THE PROPERTY OF K CONTROLS LTD. AND IS ONLY ISSUED ON THE CONDITION THAT NO COPY IS TAKEN OR REPRODUCTION OR DISCLOSURE TO A THIRD PARTY EITHER WHOLLY OR IN PART IS MADE WITHOUT THE WRITTEN CONSENT OF K CONTROLS LTD.

CONTROLLED COPY  
 UNCONTROLLED