

MATERIALS OF CONSTRUCTION

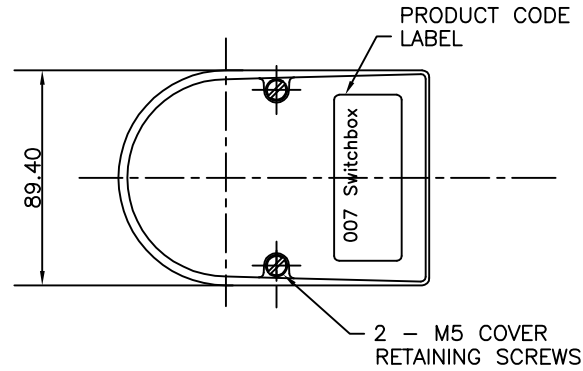
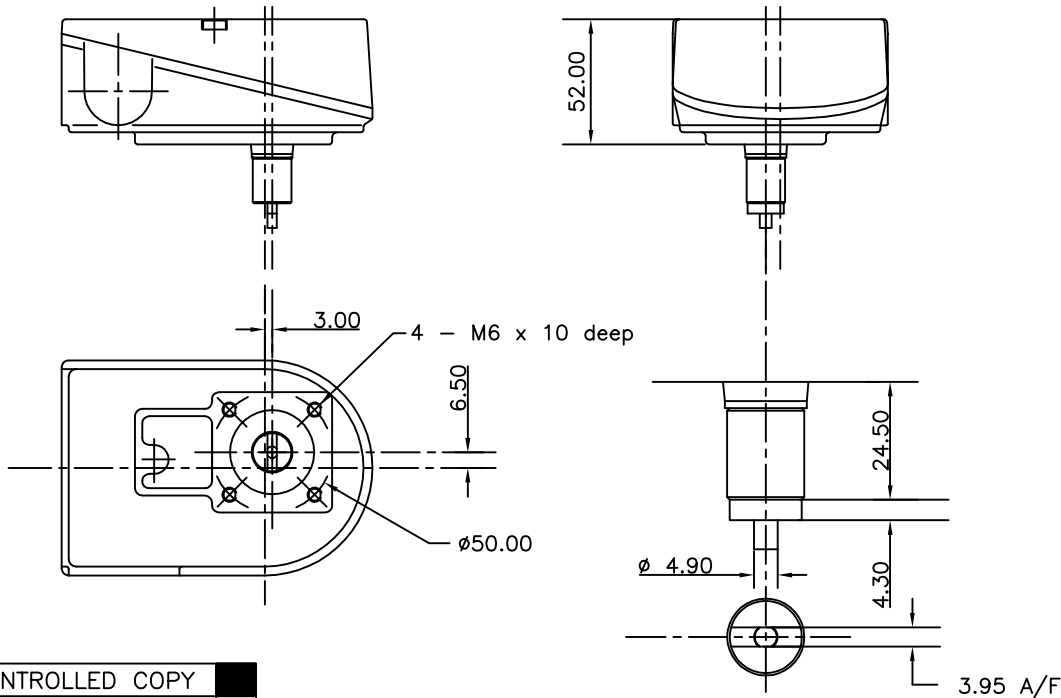
- ENCLOSURE - ALUMINIUM GrD LM6 (< 6% Mg)
- DRIVE SHAFT - STAINLESS STEEL
- FASTENERS - STAINLESS STEEL
- BEARINGS - HIGH DUTY ACETAL
- SEALS - NITRILE
- FINISH - BLACK POLYESTER (INSIDE AND OUT)
- MICROSWITCHES - 2 Off S.P.D.T. (GOLD CONTACTS)
- SWITCH CAMS - SPLINE DRIVEN "Kwiklok" SYSTEM
- TERMINAL STRIPS - HIGH GRADE MELAMINE (NUMBERED)
- MOUNTING AND DRIVE FORMAT - VDI/VDE 3845 F05
- INGRESS PROTECTION - IP67 DUST PROOF, WATER PROOF
- COMPLIANT WITH EC LOW VOLTAGE DIRECTIVE 2006/95/EC
- SUITABLE FOR BOTH LOW AND HIGH DEMAND SCENARIO
- APPLICATIONS AT SIL 1 AND SIL 2 OF IEC 61508:2010

FAILURE TO PROVIDE THE ANNUNCIATED FUNCTION

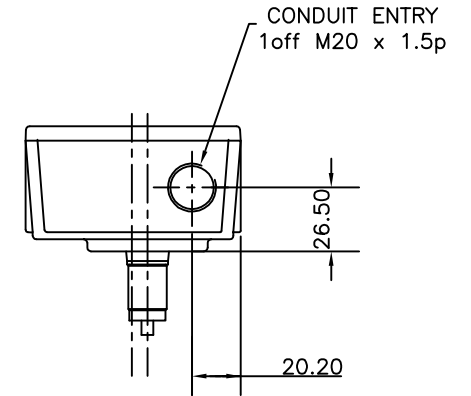
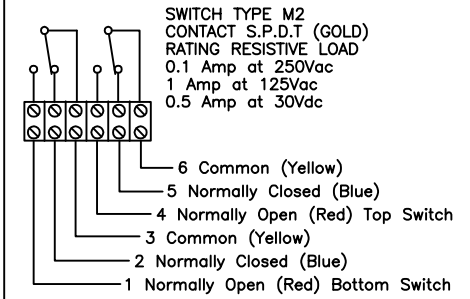
	SFF%	LOW DEMAND			HIGH DEMAND	
		F rate/hr	PFD*	SIL	F rate pa	SIL
M2 CLOSED(FAIL TO OPEN)	72	0.0059 10E-6	2.6 10E-5	2	5.2 10E-5	2
M2 OPEN(FAIL TO CLOSE)	23	0.017 10E-6	7.4 10E-5	1	1.5 10E-4	1

SPURIOUS ANNUNCIATION

	F rate pa
M2 CLOSED(SPURIOUSLY OPENS)	1.3 10E-4
M2 OPEN(SPURIOUSLY CLOSES)	4.4 10E-5



TERMINATION DETAILS.



PRODUCT CODE - SLB-70M22-SIL

Rev	C/N No.	Date	Appr

K Controls Ltd Crown Business Centre West Drayton Middlesex UB7 8HZ		TITLE GENERAL ARRANGEMENT-007 M2 LOW PROFILE SWITCHBOX. SUITABLE FOR SIL 1 & 2	
DIMENSIONS IN mm		SCALE: DO NOT SCALE	DRAWING NO: C13205
DRAWN <i>MOD</i>		PAGE 1 OF 1	REVISION 1
APPR <i>BEP</i>		DATE 10.12.14	

CONTROLLED COPY
UNCONTROLLED

THIS DRAWING IS THE PROPERTY OF K CONTROLS LTD. AND IS ONLY ISSUED ON THE CONDITION THAT NO COPY IS TAKEN OR REPRODUCTION OR DISCLOSURE TO A THIRD PARTY EITHER WHOLLY OR IN PART IS MADE WITHOUT THE WRITTEN CONSENT OF K CONTROLS LTD.