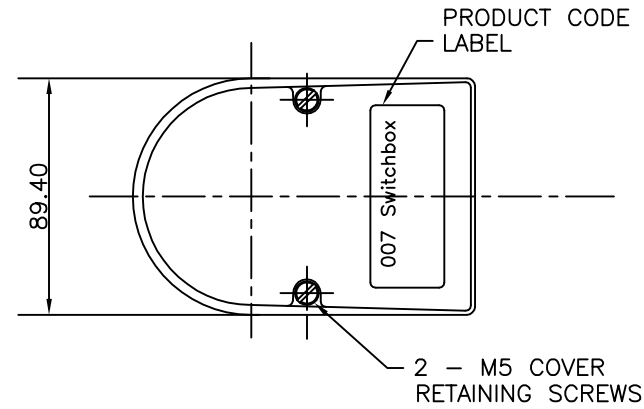
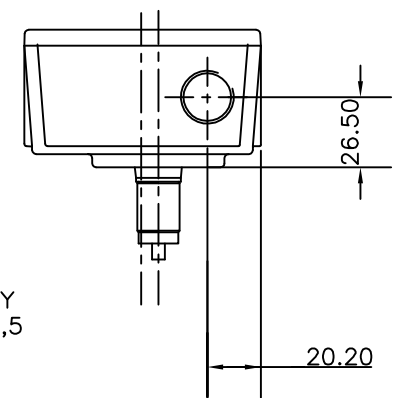
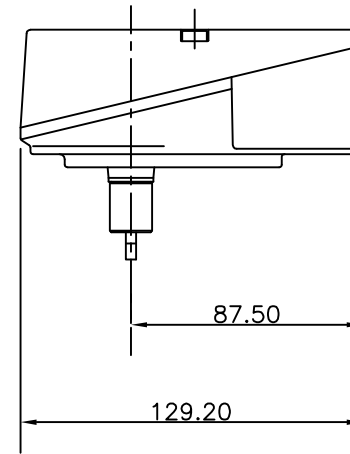
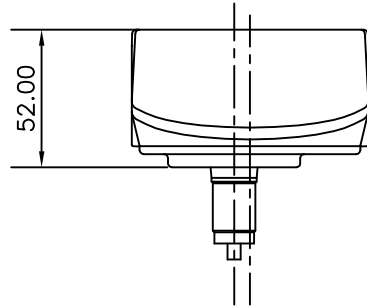
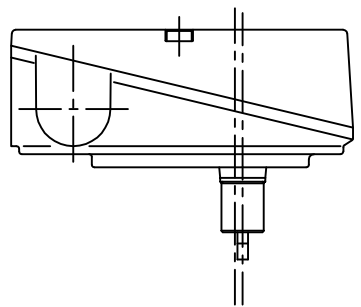
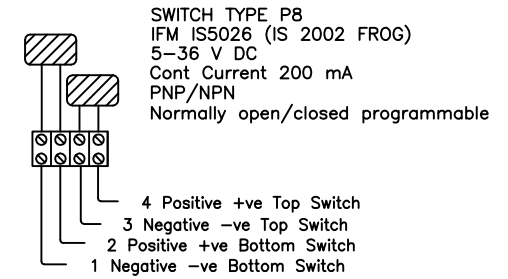


**MATERIALS OF CONSTRUCTION**

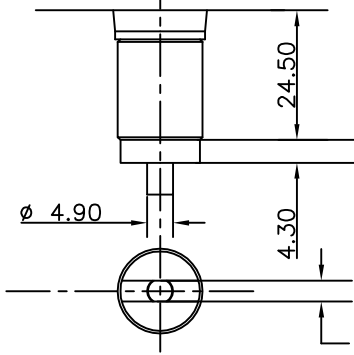
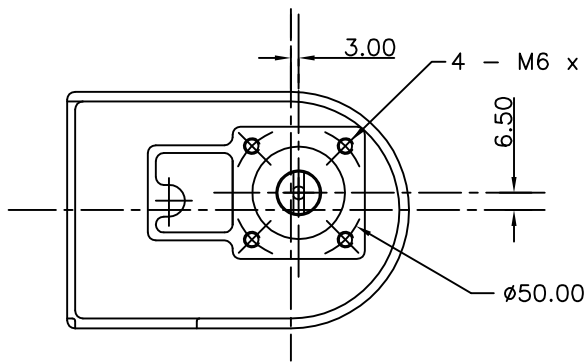
- ENCLOSURE - ALUMINIUM GrD LM6 (< 6% Mg)
- DRIVE SHAFT - STAINLESS STEEL
- FASTENERS - STAINLESS STEEL
- BEARINGS - HIGH DUTY ACETAL
- SEALS - NITRILE
- FINISH - BLACK POLYESTER (INSIDE AND OUT)
- PROXIMITY SWITCHES - 2 off IFM IS5026 (IS-2002 FROG)
- SWITCH CAMS - SPLINE DRIVEN "Kwiklok" SYSTEM
- TERMINAL STRIPS - HIGH GRADE MELAMINE (NUMBERED)
- MOUNTING AND DRIVE FORMAT - VDI/VDE 3845 F05
- INGRESS PROTECTION - IP67 DUST PROOF, WATER PROOF
- COMPLIANT WITH EC DIRECTIVES FOR ELECTROMAGNETIC COMPATIBILITY



**TERMINATION DETAILS.**



CONDUIT ENTRY  
1 - M20 x 1,5



3.95 A/F

**PRODUCT CODE - SLB-70P82**

Rev	C/N No.	Date	Appr

K Controls Ltd  
Crown Business Centre  
West Drayton Middlesex  
UB7 8HZ

DIMENSIONS IN mm

DRAWN *BEP* APPR *BEP*

TITLE GENERAL ARRANGEMENT  
007 LOW PROFILE SWITCHBOX.

SCALE: DO NOT SCALE

PAGE 1 OF 1

DATE 10.04.06

DRAWING NO: C09495

REVISION 1

CONTROLLED COPY  
UNCONTROLLED

THIS DRAWING IS THE PROPERTY OF K CONTROLS LTD. AND IS ONLY ISSUED ON THE CONDITION THAT NO COPY IS TAKEN OR REPRODUCTION OR DISCLOSURE TO A THIRD PARTY EITHER WHOLLY OR IN PART IS MADE WITHOUT THE WRITTEN CONSENT OF K CONTROLS LTD.