



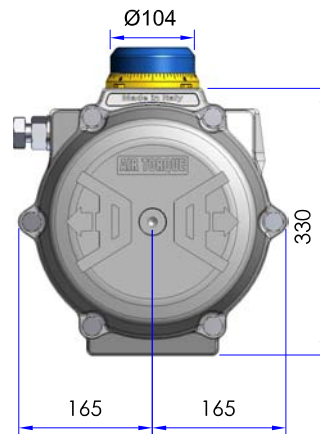
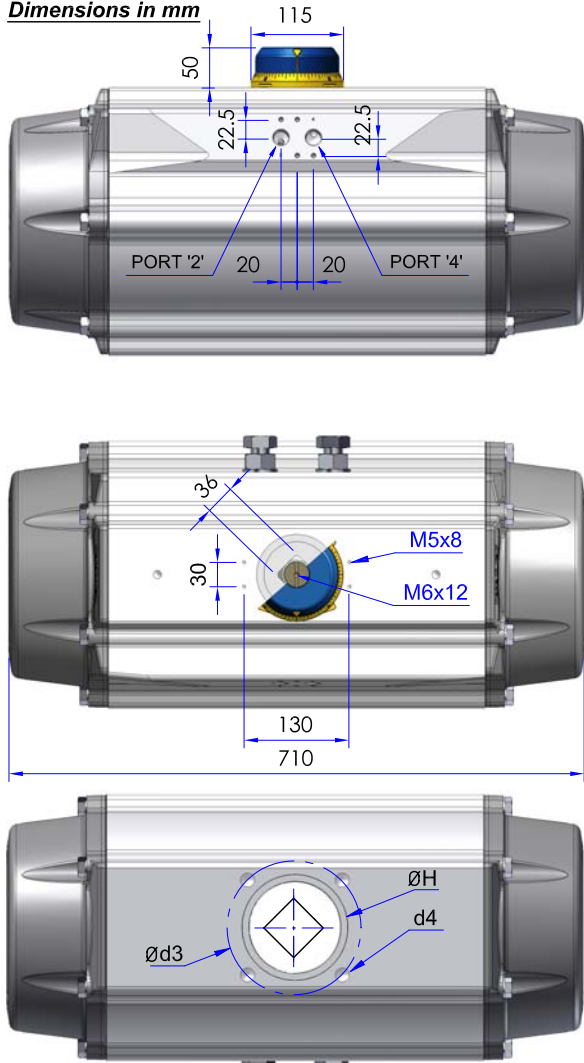
# AIR TORQUE

**AIR TORQUE S.p.A.**  
 via Alla Campagna, N° 1  
 24060 Costa di Mezzate(Bg) Italy  
 Tel.: +39 035 682299  
 Fax: +39 035 687791  
 E-mail: info@airtorque.it

**Model AT701 U**  
**D/S - 90°**

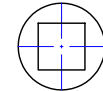
TDS n° **AT701U-DM**  
 Issued on: 10/09 - Page 1/1

**Dimensions in mm**

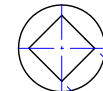


**Optional Square:**

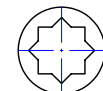
"L" Single Parallel square



"D" Single Diagonal square

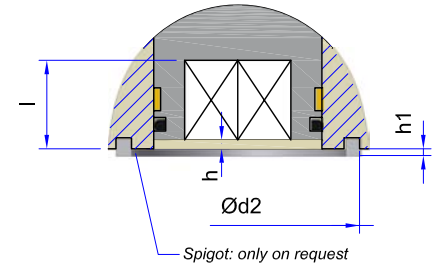


"DS" Double square



**ISO 5211 Flange Dimensions**

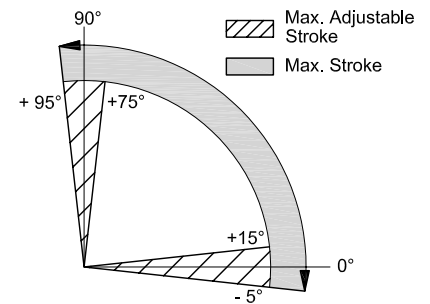
ISO 5211	STD	OPTIONAL	
	F16	F14	F12
Ø d2	130	NA	NA
Ø d3	165	140	125
d4	M20x30	M16x24	M12x18
Ø H	130	112	112
Ch x l min.	27x40 - 46x48		
DS	36x38 - 46x49		
h min.	2,5	2,5	2,5
h1	3,5	NA	NA



**Connection / Attachment**

Pressure connection: Port 2 and 4	G1/2"
Ancillary Attachment	AA 4

**Rotation and stroke adjustment**



**Output Torque**

Pressure	OUTPUT TORQUE FOR DOUBLE ACTING IN Nm												APPROX. WEIGHT (Kg)
	2,5 bar 0° 90°	3 bar 0° 90°	3,5 bar 0° 90°	4 bar 0° 90°	4,2 bar 0° 90°	4,5 bar 0° 90°	5 bar 0° 90°	5,5 bar 0° 90°	6 bar 0° 90°	7 bar 0° 90°	8 bar 0° 90°		
D	1297	1556	1815	2075	2179	2334	2594	2853	3112	3631	4150	76,3	

Pressure	OUTPUT TORQUE FOR SPRING RETURN IN Nm												Spring stroke 90° 0°	APPROX. WEIGHT (Kg)
	2,5 bar 0° 90°	3 bar 0° 90°	3,5 bar 0° 90°	4 bar 0° 90°	4,2 bar 0° 90°	4,5 bar 0° 90°	5 bar 0° 90°	5,5 bar 0° 90°	6 bar 0° 90°	7 bar 0° 90°	8 bar 0° 90°			
Spring Set													End Start	
S 05	751 496	1011 755	1270 1015	1529 1274	1633 1378	1789 1533	2048 1793						801 546	84,3
S 06	642 336	902 595	1161 854	1420 1114	1524 1217	1680 1373	1939 1632	2198 1892					961 655	85,9
S 07		792 435	1052 694	1311 954	1415 1057	1570 1213	1830 1472	2089 1732	2349 1991				1121 764	87,5
S 08			943 534	1202 793	1306 897	1461 1053	1721 1312	1980 1571	2239 1831	2758 2350			1281 873	89,1
S 09				1093 633	1197 737	1352 893	1612 1152	1871 1411	2130 1671	2649 2189	3168 2708		1442 982	90,7
S 10						1243 732	1503 992	1762 1251	2021 1510	2540 2029	3059 2548		1602 1091	92,3
S 11							1393 832	1912 1350	2431 1869	2950 2388			1762 1200	93,9
S 12								1544 931	1803 1190	2322 1709	2840 2228		1922 1309	95,5

**Technical Data**

Max. Pressure	Rotation	Screw stroke Adjustment	Chamber Ø (mm)	Air Volume (L)		Moving Time (Sec.) (A)	
				Opening	Closing	Opening	Closing
8 bar	0° - 90°	For 1° adj. need 1/6 Turn	265	14,5	21,38	D 4,0 S 4,5	D 4,5 S 5,0

**Operating Temperature Range**

Operating Temperature (°C) (B)		
ST (standard)	HT (high temperature)	LLT (Extreme low temperature)
-40 to +80	-15 to +150	-55 to +80

A) - The above indicated moving time of the actuator is obtained in the following test conditions: (1) Room Temperature, (2) Actuator Stroke 90°, (3) Solenoid Valve with Orifice of 11 mm and a flow capacity Qn 6000 L/min., (4) Inside pipe diameter 11 mm, (5) Medium clean air, (6) Air supply pressure 5,5 bar (79,75 Psi), (7) Actuator without external resistance load. **Caution: obviously on the field applications when one or more of the above parameters are different, the moving time will be different.**

B) - Every temperature range option requires proper components and lubricant. See technical data-sheet N° T.D.S. U00501E.

**Operating Medium:**

The operating medium must be free of dust and oil. The maximum particle size must not exceed 30µ (ISO 8573 Part1, Class5). In order to prevent water condensation and/or solidification (ice when actuator works below 0°C), the operating medium must have a dew point equal to -20°C or at least 10°C below the ambient temperature (ISO 8573 Part1, Class3).