



# AIR TORQUE

**AIR TORQUE S.p.A.**

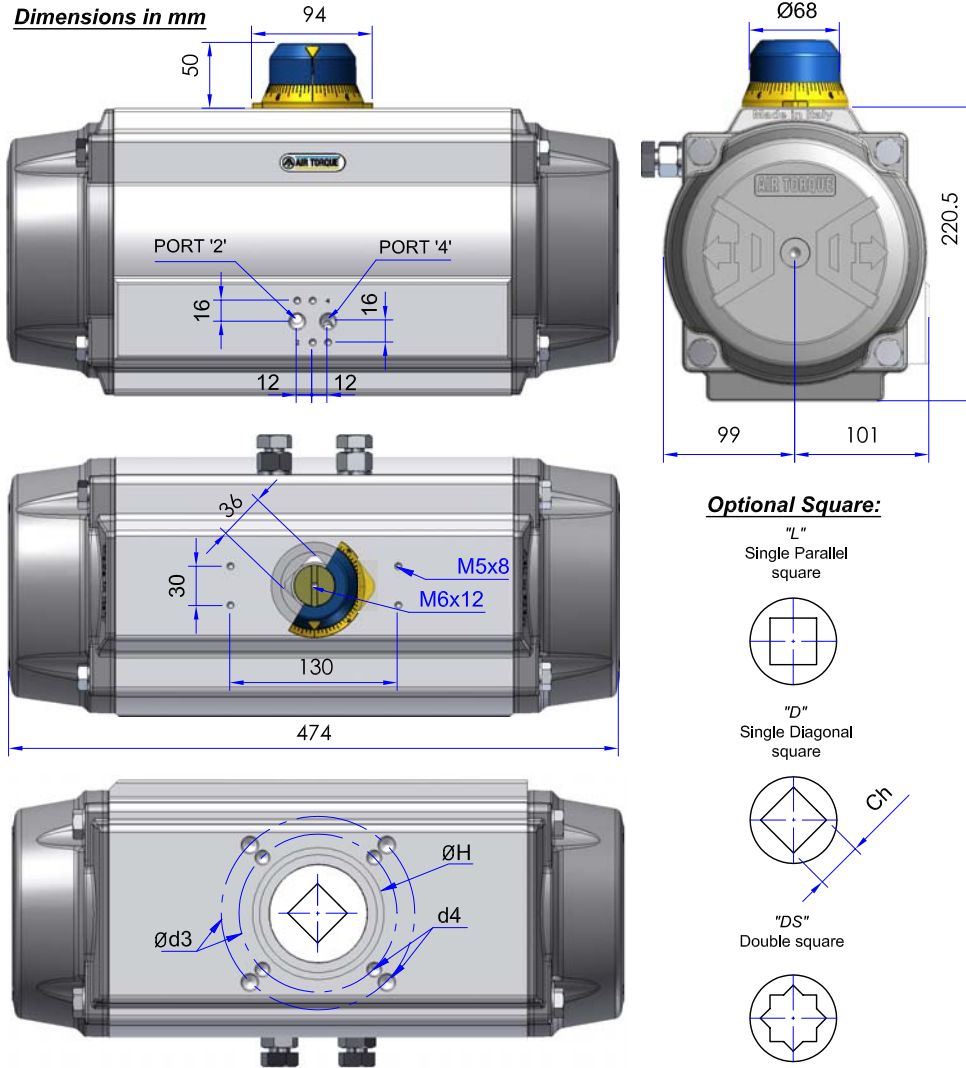
via Alla Campagna, N° 1  
24060 Costa di Mezzate (Bg) Italy  
Tel.: +39 035 682299  
Fax: +39 035 687791  
E-mail: info@airtorque.it



**Model AT551 U**  
**D/S - 90°**

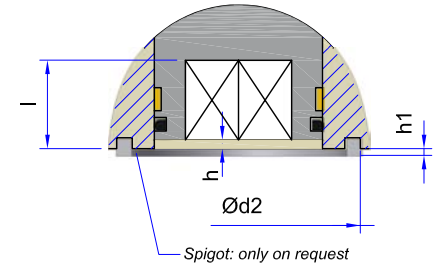
T.D.S. n° **AT551U-DM**  
Issued on: 10/09 - Page 1/1

**Dimensions in mm**

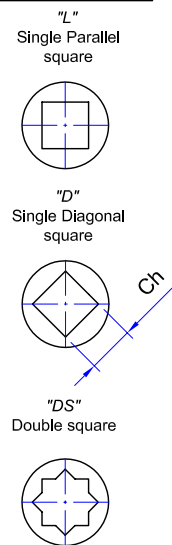


**ISO 5211 Flange Dimensions Available**

ISO 5211	STD		OPTIONAL	
	F14	F10	F12	
Ø d2	100	NA	85	
Ø d3	140	102	125	
d4	M16x24	M10x15	M12x18	
Ø H	100		70	
Ch x l min.	D	22x40 - 36x38		
	DS	27x40 - 36x38		
Stainless Drive Shaft Ch x l min.	DS	27x34		
h min.	2	2	2	
h1	3	NA	1,5	



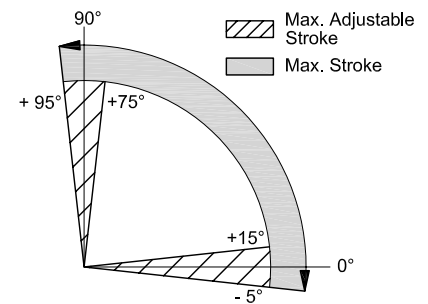
**Optional Square:**



**Connection / Attachment**

Pressure connection: Port 2 and 4	<b>G1/4"</b>
Ancillary Attachment	<b>AA 4</b>

**Rotation and stroke adjustment**



**Output Torque**

Pressure	OUTPUT TORQUE FOR DOUBLE ACTING IN Nm												APPROX. WEIGHT (Kg)
	2,5 bar 0° 90°	3 bar 0° 90°	3,5 bar 0° 90°	4 bar 0° 90°	4,2 bar 0° 90°	4,5 bar 0° 90°	5 bar 0° 90°	5,5 bar 0° 90°	6 bar 0° 90°	7 bar 0° 90°	8 bar 0° 90°		
D	383	459	536	613	643	689	766	842	919	1072	1225	24,3	

Pressure	OUTPUT TORQUE FOR SPRING RETURN IN Nm												Spring stroke	APPROX. WEIGHT (Kg)
	2,5 bar 0° 90°	3 bar 0° 90°	3,5 bar 0° 90°	4 bar 0° 90°	4,2 bar 0° 90°	4,5 bar 0° 90°	5 bar 0° 90°	5,5 bar 0° 90°	6 bar 0° 90°	7 bar 0° 90°	8 bar 0° 90°			
Spring	Start End	Start End	Start End	Start End	Start End	Start End	Start End	Start End	Start End	Start End	Start End	Start End	90° 0°	27,8
Set														
S 05	225 146	301 223	378 299	455 376	485 406	531 452	608 529						237 158	
S 06	193 99	270 175	346 252	423 329	454 359	500 405	576 482	653 558					284 190	
S 07		238 128	315 205	391 281	422 312	468 358	544 434	621 511	698 587				332 221	
S 08			283 157	360 234	390 264	436 310	513 387	589 464	666 540	819 693			379 253	
S 09				328 186	359 217	405 263	481 340	558 416	634 493	788 646	941 799		426 285	
S 10						373 216	450 292	526 369	603 445	756 599	909 752		474 316	
S 11							418 245	495 321	571 398	724 551	877 704		521 348	
S 12									463 274	540 351	693 504	846 657	568 379	32,7

**Technical Data**

Max. Pressure	Rotation (For STD)	Screw stroke Adjustment	Chamber Ø (mm)	Air Volume (L)		Moving Time (Sec.) (A)	
				Opening	Closing	Opening	Closing
8 bar	0° - 90°	For 1° adj. need 1/6 Turn	180	4,26	6,89	D 2,0 S 2,4	D 2,2 S 2,8

**Operating Temperature Range**

Operating Temperature (°C) (B)		
ST (standard)	HT (high temperature)	LLT (Extreme low temperature)
-40 to +80	-15 to +150	-55 to +80

A) - The above indicated moving time of the actuator is obtained in the following test conditions: (1) Room Temperature, (2) Actuator Stroke 90°, (3) Solenoid Valve with Orifice of 11 mm and a flow capacity Qn 6000 L/min., (4) Inside pipe diameter 11 mm, (5) Medium clean air, (6) Air supply pressure 5,5 bar (79,75 Psi), (7) Actuator without external resistance load. **Caution: obviously on the field applications when one or more of the above parameters are different, the moving time will be different.**

B) - Every temperature range option requires proper components and lubricant. See technical data-sheet N° T.D.S. U00501E.

**Operating Medium:**

The operating medium must be free of dust and oil. The maximum particle size must not exceed 30µ (ISO 8573 Part1, Class5). In order to prevent water condensation and/or solidification (ice when actuator works below 0°C), the operating medium must have a dew point equal to -20°C or at least 10°C below the ambient temperature (ISO 8573 Part1, Class3).