

IT	QTY	PART NAME	MATERIAL
NP	1	Name Plate	F316
1	1	Handle	F316
2a	1	Handle nuts	F304
2b	1		
3	1	Packing ring	Graphite
4	2	Spring washers	F316 Treated
5	1	Antistatic stem	F316/F316L Dual Certified
6	1*	Gland packing	F316
7	1	Thrust washer	PTFE
8	1	"O"ring stem	Viton
9	1	Ball	F316/F316L Dual Certified
10	2	Seats	RPTFE (Carbon/Graphite)
11	2	1st Body seals	RPTFE (Carbon/Graphite)
12	1	Body	F316/F316L Dual Certified
13	2	End connections	F316/F316L Dual Certified
14	1	Stop-pin	F316
16	8	Bolts	A193 B8
17	1	Stop washer	F304
18	2	2nd Body seals	Graphite

* DN25-1" quantity 2pcs

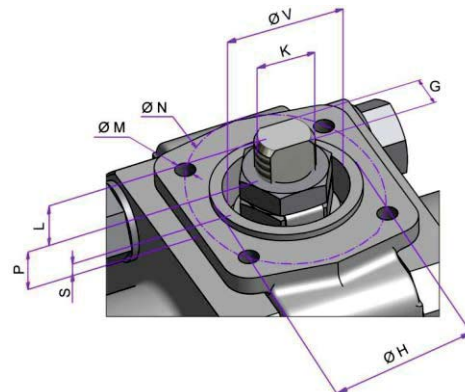
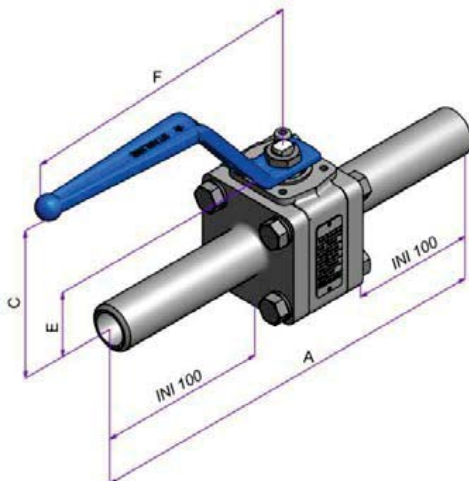
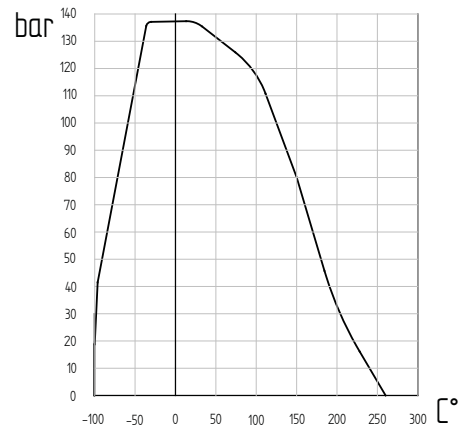
Recommended Spare Parts for Start-Up or Commissioning

Construction

- Floating ball
- Reduced Bore
- Soft Seat
- 3-piece construction
- Antistatic Stem
- Blow-out proof stem
- Bidirectional
- Double body seal
- Triple stem seal

General Features

- PED Cat III Mod H
- Firesafe
- Atex II 2 GD
- TA-Luft
- ISO15848 Rate B
- ISO5208 rate A
- SIL 3
- NACE MR0175/MR0103
- Country of Origin: Italy



SIZE	DIMENSIONS [mm]							WEIGHT	TORQUE	SIZE	DIMENSIONS [mm]										ISO5211
DN	A	BORE	C	E	F		[kg]	[Nm]	DN	L	P	S	V	K	G	H	N	M			
15	1/2"	236	11,1	79	30,5	144	1,4	11	15	1/2"	3,6	5,4	1,5	21	M10x1	5,5	25	36	M5x8	F03	
20	3/4"	239	14,2	81	32,5	144	1,6	15	20	3/4"	3,6	5,9	1,5	21	M10x1	5,5	25	36	M5x8	F03	
25	1"	250	20,5	98	39	172,5	3	23	25	1"	9	5	1,5	25	M12x1,25	7,5	30	42	M5x8	F04	
32	1 1/4"	261	25,4	100	38	172,5	3,9	32	32	1 1/4"	10	10	1,5	25	M12x1,25	7,5	30	42	M5x8	F04	
40	1 1/2"	272	31,7	110	43,5	218	5,8	38	40	1 1/2"	13	14	1,5	30	M15X1,5	8,9	35	50	M6x10	F05	
50	2"	279	38	120	47,5	218	7,7	44	50	2"	14	14	1,5	30	M15X1,5	8,9	35	50	M6x10	F05	

Torque values have been measured ΔP at max rating at room temperature (It must be understood that many factors can influence the torque)

Dimensions and weights are subject to change without notice.

Face to face dimensions not listed in industry standards are subject to change without notice.