

IT	QTY	PART NAME	MATERIAL
NP	1	Name Plate	F316
1	1	Handle	F316
2a	1	Handle nuts	F304
2b	1		
3	1	Packing ring	Graphite
4	2	Spring washers	F316 Treated
5	1	Antistatic stem	F316/F316L Dual Certified
6	1*	Gland packing	F316
7	1	Thrust washer	PTFE
8	1	"O"ring stem	Viton
9	1	Ball	F316/F316L Dual Certified
10	2	Seats	RPTFE (Carbon/Graphite)
11	2	1st Body seals	RPTFE (Carbon/Graphite)
12	1	Body	F316/F316L Dual Certified
13	2	End connections	F316/F316L Dual Certified
14	1	Stop-pin	F316
16	4	Bolts+Nuts	A193 B8
17	1	Stop washer	F304
18	2	2nd Body seals	Free Asbestos NA35

* DN20-¾" quantity 2pcs

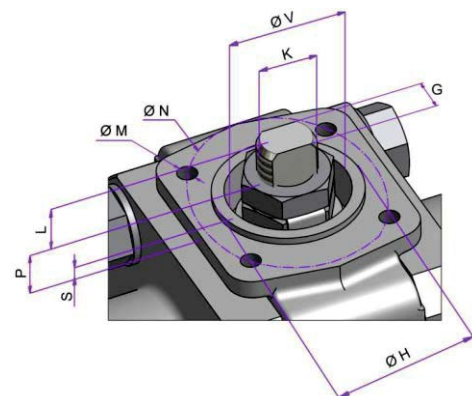
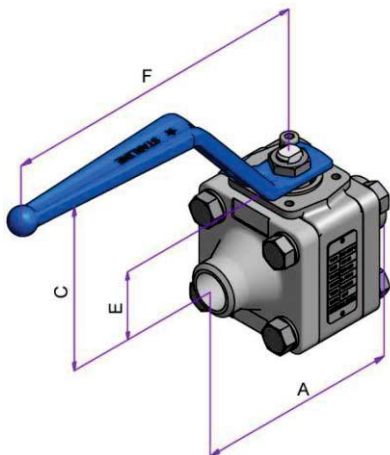
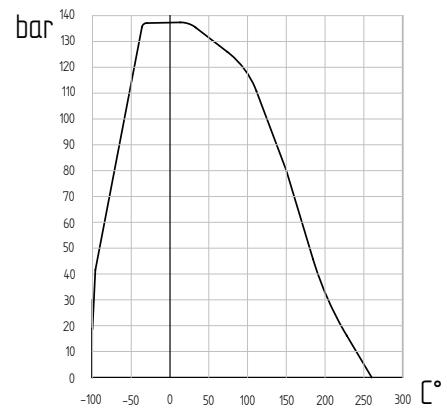
Recommended Spare Parts for Start-Up or Commissioning

Construction

- Floating ball
- Full Bore
- Soft Seat
- 3-piece construction
- Antistatic Stem
- Blow-out proof stem
- Bidirectional
- Double body seal
- Triple stem seal

General Features

- PED Cat III Mod H
- Atex II 2 GD (On request)
- ISO5208 rate A
- SIL 3
- Country of Origin: Italy



SIZE DN		DIMENSIONS [mm]					WEIGHT [kg]	TORQUE [Nm]	SIZE DN	DIMENSIONS [mm]							ISO5211			
		A	BORE	C	E	F				L	P	S	V	K	G	H		N	M	
8	1/4"	75	11,1	79	30,5	144	1	11	8	1/4"	3,6	5,4	1,5	21	M10x1	5,5	25	36	M5x8	F03
10	3/8"	75	11,1	79	30,5	144	1	11	10	3/8"	3,6	5,4	1,5	21	M10x1	5,5	25	36	M5x8	F03
15	1/2"	80	14,2	81	32,5	144	1,2	15	15	1/2"	3,6	5,9	1,5	21	M10x1	5,5	25	36	M5x8	F03
20	3/4"	100	20,5	98	39	172,5	2,3	23	20	3/4"	9	5	1,5	25	M12x1,25	7,5	30	42	M5x8	F04
25	1"	110	25,4	100	38	172,5	3,2	32	25	1"	10	10	1,5	25	M12x1,25	7,5	30	42	M5x8	F04
32	1 1/4"	120	31,7	110	43,5	218	4,5	38	32	1 1/4"	13	14	1,5	30	M15x1,5	8,9	35	50	M6x10	F05
40	1 1/2"	140	38	112	47,5	218	5,3	44	40	1 1/2"	14	14	1,5	30	M15x1,5	8,9	35	50	M6x10	F05

Torque values have been measured ΔP at max rating at room temperature (It must be understood that many factors can influence the torque)

Dimensions and weights are subject to change without notice.

Face to face dimensions not listed in industry standards are subject to change without notice.