

IT	QTY	PART NAME	MATERIAL
NP	1	Name Plate	F316
1	1	Handle	Carbon Steel + Epoxy Coated <sup>1)</sup>
2a	1	Handle nuts	F304
2b	1		
3	2	Packing ring	Graphite
4	2	Spring washers	F316 Treated
5	1	Antistatic stem	F316/F316L Dual Certified
6	1	Gland packing	F316
7	1	Thrust washer	PTFE
8	1	"O"ring stem	Viton
9	1	Ball	F316/F316L Dual Certified
10	2	Seats	PTFE
10a	2	Seat Gasket	Viton
11	2	1st Body seals	PTFE
12	1	Body	F316/F316L Dual Certified
13	2	End connections	F316/F316L Dual Certified
14	1	Stop-pin	F316
16	12	Bolts	A193 B8
17	1 <sup>2)</sup>	Stop washer	F304
18	2	2nd Body seals	Graphite

1) Carbon Steel+Plastic for DN65 - 2½"

2) Qty 0 for DN65 - 2½"

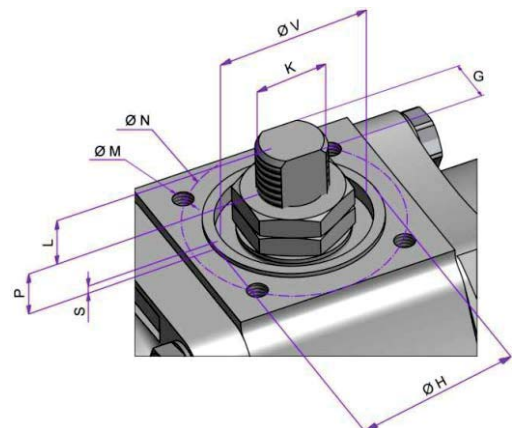
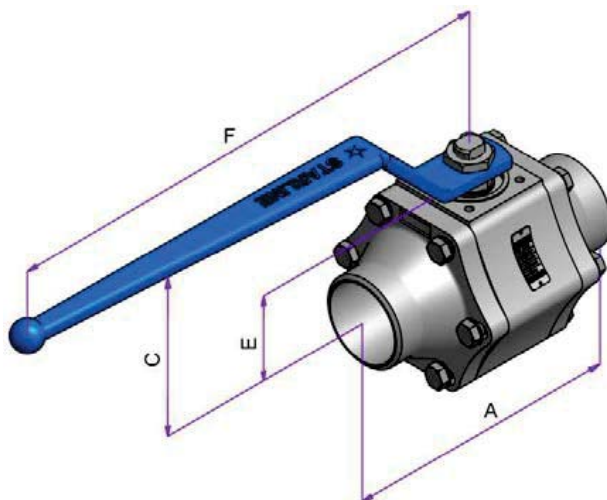
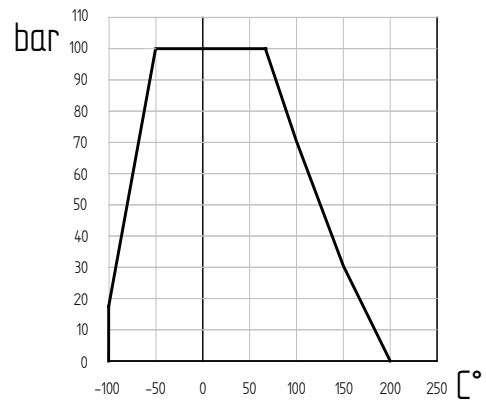
Recommended Spare Parts for Start-Up or Commissioning

**Construction**

- Floating ball
- Full Bore
- Soft Seat
- 3-piece construction
- Antistatic Stem
- Blow-out proof stem
- Bidirectional
- Double body seal
- Triple stem seal
- Encapsulated seats

**General Features**

- PED Cat III Mod H
- Firesafe
- Atex II 2 GD
- TA-Luft
- ISO15848 Rate B
- ISO5208 rate A
- SIL 3
- NACE MR0175/MR0103
- Country of Origin: Italy



SIZE		DIMENSIONS [mm]					WEIGHT	TORQUE
DN		A	BORE	C	E	F	[kg]	[Nm]
50	2"	191	49	122	58,7	218	7	90
65	2½"	210	62	136	70	420	14	110

SIZE		DIMENSIONS [mm]								ISO5211	
DN		L	P	S	V	K	G	H	N	M	
50	2"	12,5	12,5	1,5	30	M15x1,5	8,9	35	50	M6x10	F05
65	2½"	17	18	1,5	48	M22x1,5	16	55	70	M8x12	F07

Torque values have been measured ΔP at max rating at room temperature (It must be understood that many factors can influence the torque)

Dimensions and weights are subject to change without notice.

Face to face dimensions not listed in industry standards are subject to change without notice.