

IT	QTY	PART NAME	MATERIAL
NP	1	Name Plate	F316
1	1	Handle	Carbon Steel + Epoxy Coated ¹⁾
2a	1	Handle nuts	F304
2b	1		
3	1 ²⁾	Packing ring	Graphite
4	2 ³⁾	Spring washers	F316 Treated
5	1	Antistatic stem	F316/F316L Dual Certified
6	1	Gland packing	F316
7	1	Thrust washer	PTFE
8	1	"O" ring stem	Viton
9	1	Ball	F316/F316L Dual Certified
10	2	Seats	RPTFE (Carbon/Graphite)
10a	2	Seat Gasket	Viton
11	2	1st Body seals	RPTFE (Carbon/Graphite)
12	1	Body	A350 LF2
13	2	End connections	A350 LF2
14	1	Stop-pin	F316
16	12 ⁴⁾	Bolts	A320 L7+Zinc Plated
17	1 ⁵⁾	Stop washer	F304
18	2	2nd Body seals	Graphite

- 1) Carbon Steel+Plastic for DN80 - 3" 2) Qty 2 for DN100 - 4"
 3) Qty 0 for DN100 - 4" 4) Qty 16 for DN100 - 4"
 5) Qty 0 for DN80 - 3" and over

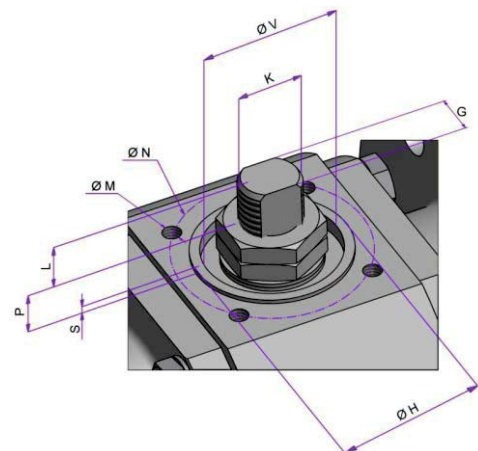
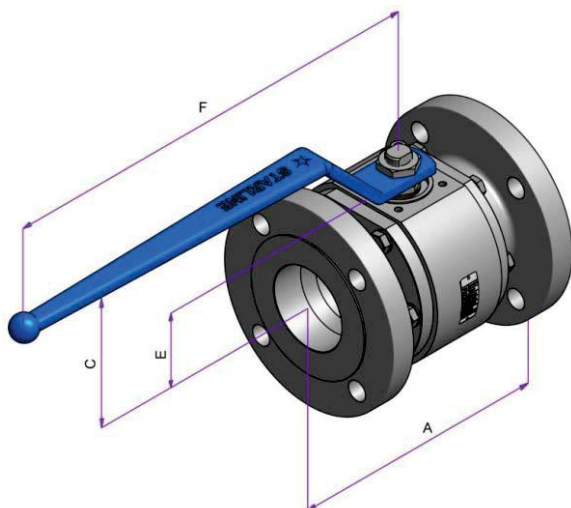
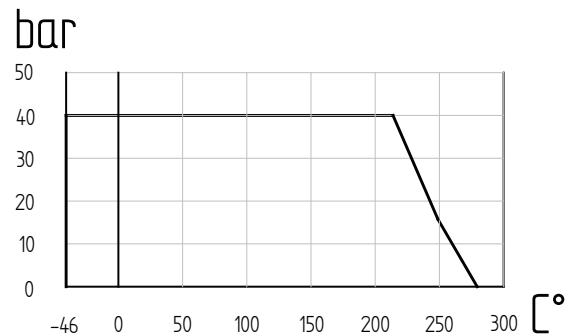
Recommended Spare Parts for Start-Up or Commissioning

Construction

- Floating ball
- Reduced Bore
- Soft Seat
- 3-piece construction
- Antistatic Stem
- Blow-out proof stem
- Bidirectional
- Double body seal
- Triple stem seal
- Encapsulated seats

General Features

- PED Cat III Mod H
- Firesafe
- Atex II 2 GD
- TA-Luft
- ISO15848 Rate B
- ISO5208 rate A
- SIL 3
- NACE MR0175/MR0103
- Country of Origin: Italy



SIZE	DIMENSIONS [mm]						WEIGHT	TORQUE	SIZE	DIMENSIONS [mm]								ISO5211		
DN	A	BORE	C	E	F		[kg]	[Nm]	DN	L	P	S	V	K	G	H	N	M		
65	2½"	290	49	122	58,7	218	18,9	113	65	2½"	12,5	12,5	1,5	30	M15x1,5	8,9	35	50	M6x10	F05
80	3"	310	62	136	70	420	24,5	138	80	3"	17	18	1,5	48	M22x1,5	16	55	70	M8x12	F07
100	4"	350	76	150	87	420	40,5	157	100	4"	15	22,5	1,5	48	M24x2	18	55	70	M8x12	F07

Torque values have been measured ΔP at max rating at room temperature (It must be understood that many factors can influence the torque)
 Dimensions and weights are subject to change without notice.
 Face to face dimensions not listed in industry standards are subject to change without notice.