

IT	QTY	PART NAME	MATERIAL
NP	1	Name Plate	F316
1	1	Handle	Carbon Steel + Epoxy Coated
2a	1	Handle nuts	F304
2b	1		
3	1	Packing ring	Graphite
4	2	Spring washers	F316 Treated
5	1	Antistatic stem	F316/F316L Dual Certified
6	1*	Gland packing	F316
7	1	Thrust washer	RPTFE (Carbon/Graphite)
9	1	Ball	F316/F316L Dual Certified
10	2	Seats Ring	A350 LF2
10a	2	Seats	Graphite
10b	2	Seat Seals	Graphite
10c	2	Ring Seals	Graphite
11	2	1st Body seals	Graphite
12	1	Body	A350 LF2
13	2	End connections	A350 LF2
14	1	Stop-pin	F316
16	8	Bolts	A320 L7+Zinc Plated
17	1	Stop washer	F304
18	2	2nd Body seals	Graphite

* DN20-3/4" quantity 2pcs

Recommended Spare Parts for Start-Up or Commissioning

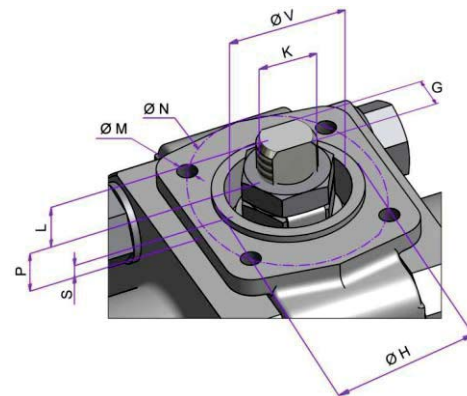
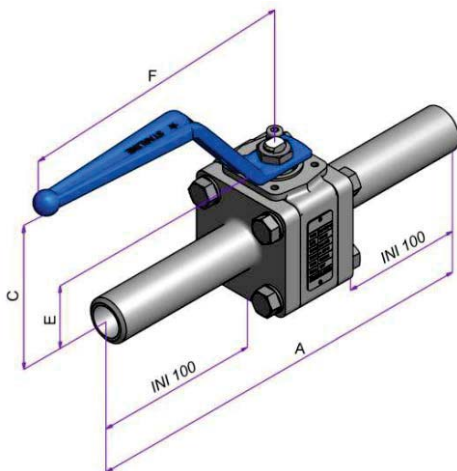
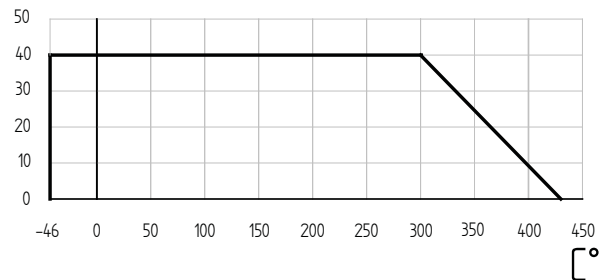
Construction

- Floating ball
- Reduced Bore
- Soft Seat
- 3-piece construction
- Antistatic Stem
- Blow-out proof stem
- Bidirectional
- Double body seal
- Double stem seal
- Encapsulated seats

General Features

- PED Cat III Mod H
- Firesafe
- Atex II 2 GD
- TA-Luft
- ISO15848 Rate C
- ISO5208 rate A/B
- SIL 3
- NACE MR0175/MR0103
- Country of Origin: Italy

bar



SIZE	DIMENSIONS [mm]						WEIGHT	TORQUE
DN	A	BORE	C	E	F		[kg]	[Nm]
15	1/2"	236	11,1	79	30,5	144	1,4	18
20	3/4"	239	14,2	81	32,5	144	1,6	24
25	1"	250	20,5	98	39	172,5	3	33

SIZE	DIMENSIONS [mm]											ISO5211
DN	L	P	S	V	K	G	H	N	M			
15	1/2"	3,6	5,4	1,5	21	M10x1	5,5	25	36	M5x8	F03	
20	3/4"	3,6	5,9	1,5	21	M10x1	5,5	25	36	M5x8	F03	
25	1"	9	5	1,5	25	M12x1,25	7,5	30	42	M5x8	F04	

Torque values have been measured ΔP at max rating at room temperature (It must be understood that many factors can influence the torque)

Dimensions and weights are subject to change without notice.

Face to face dimensions not listed in industry standards are subject to change without notice.